

Schmied



PRODUCT SPECIFICATIONS

Urinal Sensor (AC & DC) with manual override LED button

Dimension: 131mm x 131mm

Material: Stainless Steel 304 faceplate

Working Power: AC110-240V/DC6V

Water Pressure: 0.1-0.7Mpa

Sensing Distance: 35-65cm(adjustable)

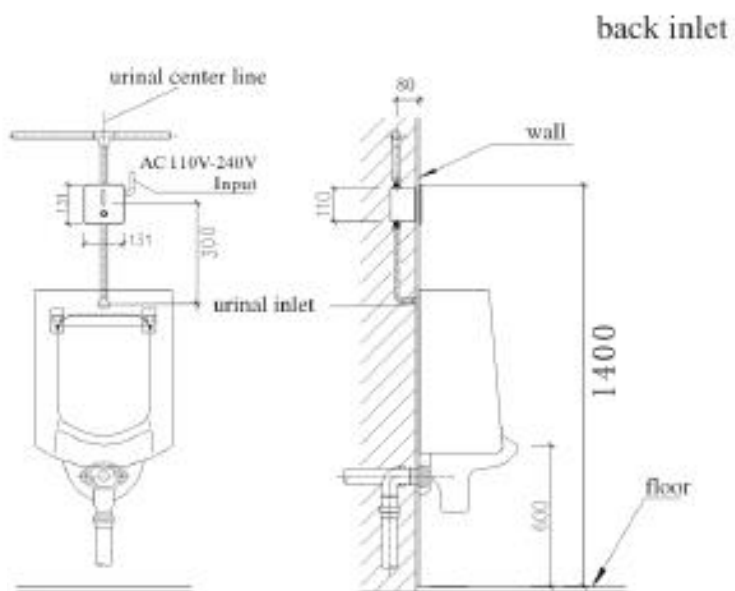
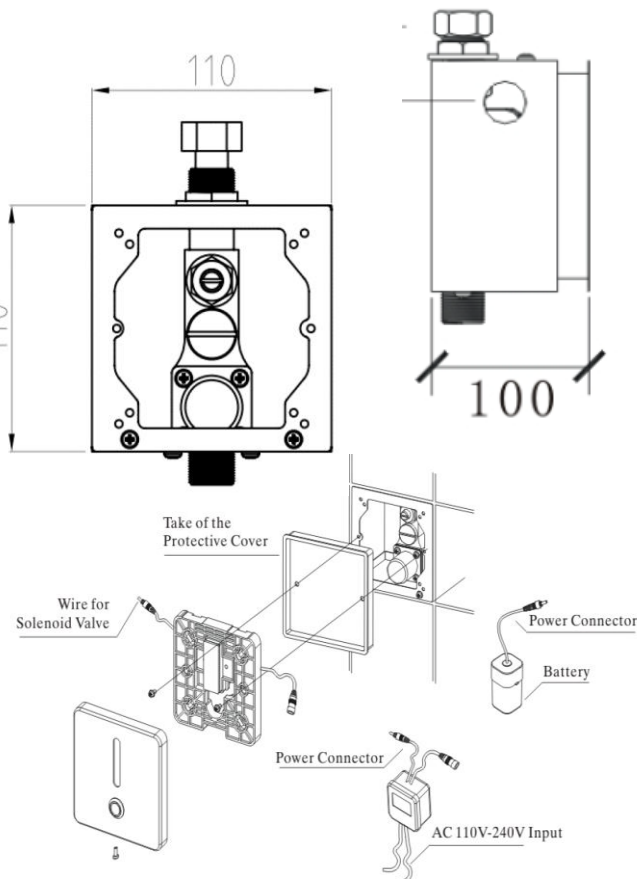
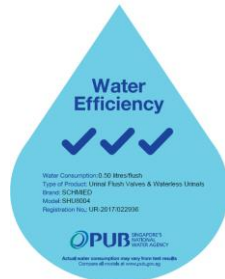
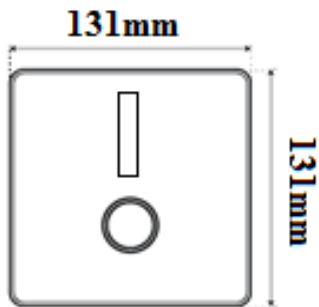
Water Inlet: G1/2" (DN15)

Concealed Box dimension: 110*110*100mm

Water Flow: 2-5L/Flush time(0.3Mpa Static pressure)

Advantage: DC battery holder is included for backup if AC supply cuts off. (Require 4XAA size alkaline battery. Batteries not included)

TECHNICAL SPECIFICATIONS



Unit in millimetres.